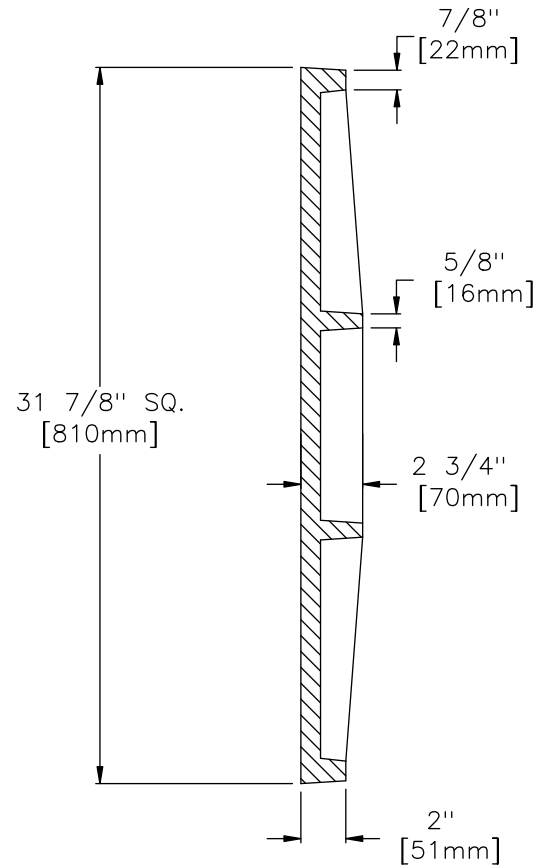
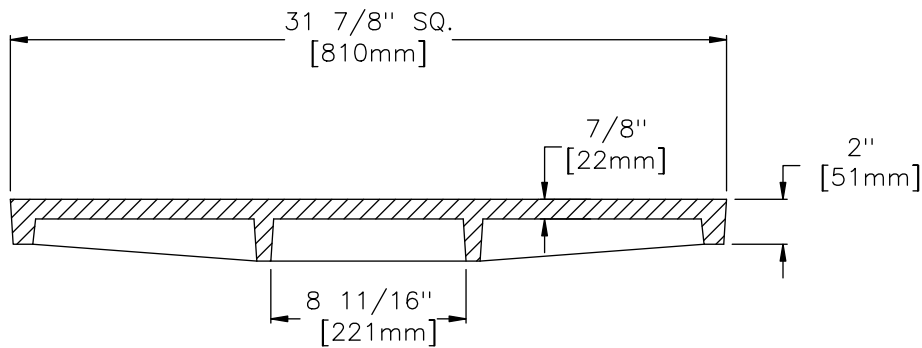


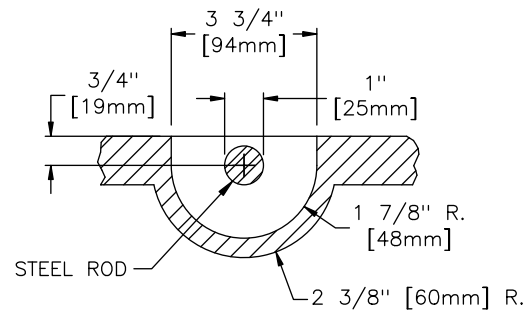
COVER TOP VIEW



COVER SECTION



COVER SECTION



(4) TYPE 4 STEEL PICKBARS  
PICKBAR DETAIL

**EAST JORDAN IRON WORKS, INC.**

P.O. BOX 439  
EAST JORDAN, MI. 49727  
1-800-874-4100  
FAX 231-536-4458

|              |                  |
|--------------|------------------|
| DRAWN<br>DAL | DATE<br>04/10/03 |
| APPROVED     | DATE             |

**V-6732  
COVER**

PRODUCT NO.

**46732020**

CATALOG NO.

**V-6732**

REF. PRODUCT DRAWING

N/A

EST. WT.

COVER: 300LBS 136kg

OPEN AREA

N/A

MAT'L SPEC.

COVER - GRAY IRON  
ASTM A48 CL30

LOAD RATING

**HEAVY DUTY**